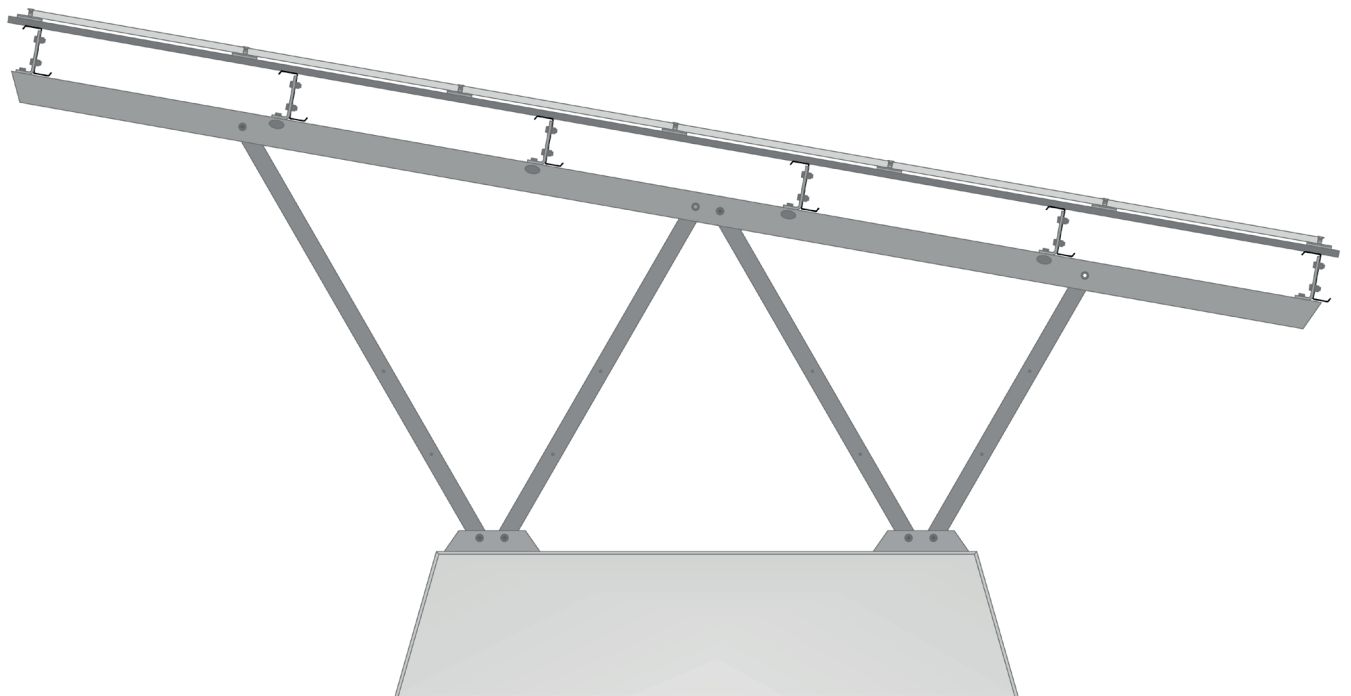




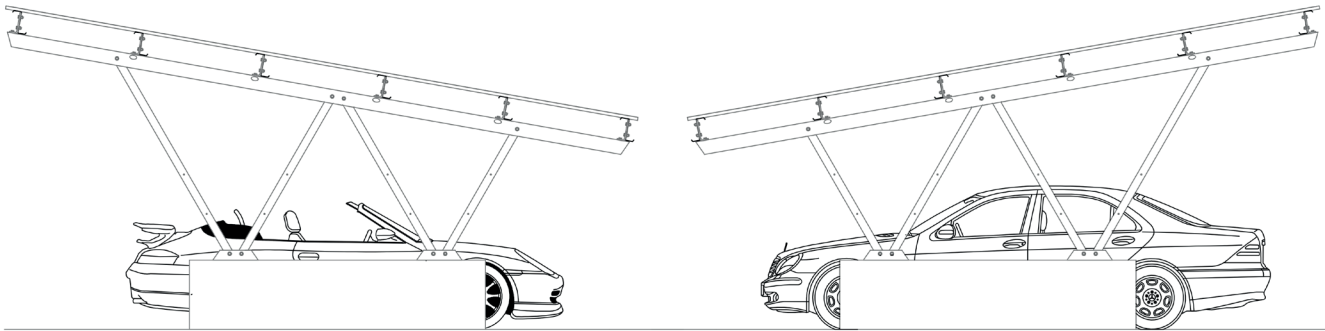
HELIOS carport



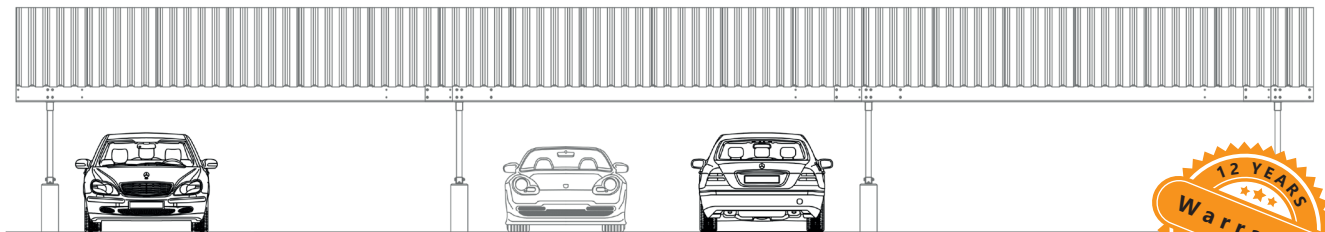
- ▶ Available as single, double or freely scalable row carport
- ▶ Easy parking thanks to extra large and wide parking spaces and W-shaped posts
- ▶ Quick and easy assembly
- ▶ High-quality design for sophisticated demands
- ▶ Individually customizable design (color, materials, surface, size, ...)

System design

With its W-shaped posts, the HELIOS carport impresses with its elegant and clear design. Even the standard version of the HELIOS carport is designed for very high wind and snow loads. Depending on customer requirements, the HELIOS carport is available with or without a PV system. The installation of charging columns and inverters is possible at any time thanks to pre-punched holes in the supports.



Example: Structure as trough roof arrangement (50x50 m = 2.500 m²; built-over area approx. 1.700 m², access driving lanes with 3,85 m; 96 parking spaces, 6 x 16 double carports; 360 kWp, 936 modules 1.840 x 1.030 mm with 385 Wp each)



Example: Row carport made of 3 double carports

Technical data

| Data in the table refers to the standard version, adjustments are possible | |
|--|---|
| Application | For all car park roofing - private and commercial sector. Design can be adapted to project and customer specific requirements |
| Foundation | Stripe foundation according to provided foundation- and reinforcement plan |
| Static | Load assumptions according to Eurocode 1 (DIN EN 1991-1), static calculations according to valid standards and guidelines |
| Entrance height | approx. 2,97 m |
| Clearance height (rear) | approx. 1,90 m |
| Total height | approx. 3,30 m |
| Cantilever (roofed) | approx. 0,5 m |
| Foundation size | approx. 3,0 m × 0,7 m (above ground) |
| Inclination | 10° |
| Axial dimension / post spacing | Double carport: 6 m; single carport 3 m (shorter distance possible) |
| Parking space width | approx. 2,85 m |
| Parking space length | approx. 5,91 m |
| Roof length | 6 m |
| Materials | Hot-dip galvanized steel construction (DIN EN 10346, DIN EN 1461) Trapezoidal sheet metal cladding (e.g. 35/207 0,63 mm S550 GD+AZ185) with anti-condensation fleece Connecting elements stainless steel A2 |

T.Werk GmbH

Greisbacherstraße 6 · 89331 Burgau · Tel. +49 8283 997 904-0 · Fax: +49 8283 997 904-299

info@t-werk.eu · www.t-werk.eu